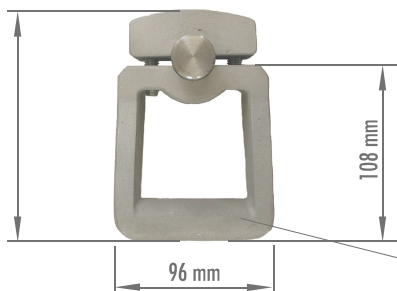


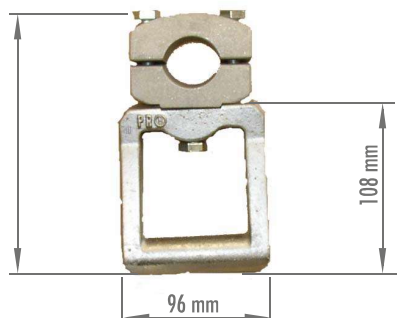
**CONNECTING POINTS  
FOR SHORT-CIRCUITING  
(EARTHING) SETS VHV**

**CONNECTING POINTS**



**865.010-01**  
for conductor diameter 22-37 mm  
simple connecting point VHV

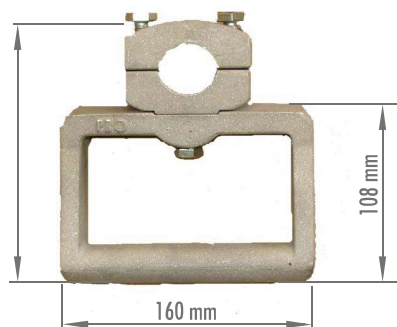
diameter bar 25 mm  
for connection of conductor clamp  
valid for all types



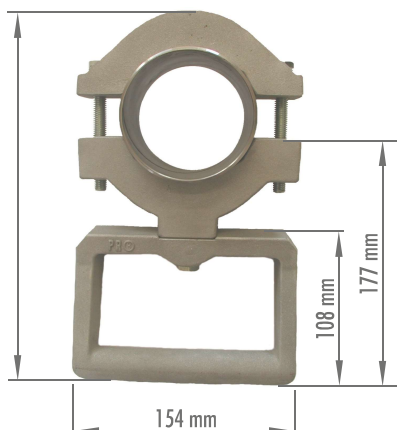
**865.010-02**  
for conductor diameter 22-37 mm  
simple connecting point VHV  
revolving by 90°



**865.011-01**  
for conductor diameter 22-37 mm  
double connecting point VHV



**865.011-02**  
for conductor diameter 22-37 mm  
double connecting point VHV  
revolving by 90°



**865.015**  
for conductor diameter 70-100 mm  
simple connecting point VHV  
revolving by 90°  
(w = 94 mm, see 865.010-02)

**865.016**  
for conductor diameter 70-100 mm  
double connecting point VHV  
revolving by 90°

determined  
for short-circuiting sets  
810.123, 245, 420  
812.123, 245, 420  
813.123, 245, 420  
814.123, 245, 420  
816.123, 245, 420  
817.123

determined  
for short-circuiting sets  
811.123, 245, 420  
815.123, 245, 420